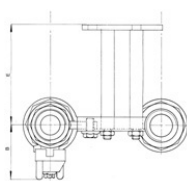
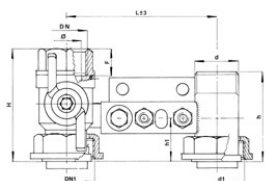




RIV 7623

Unified complete bracket for gas meter
with a 110 mm. centre-to-centre distance
reinforced double-pipe rag bolt for expansion bosses
aluminium sealing butterfly handle

Tech drawings and tables

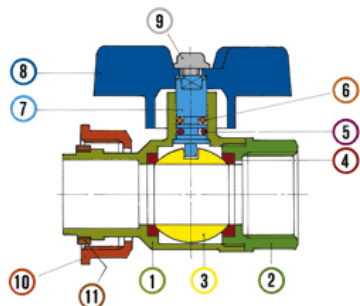


DNxDN1	Code	Ø	H	h	L	F	B	E	d1	d	h1	PN	KG	P/box
1" x 1"1/4	077623000281	20	81,5	70	110	23	52,5	100	1"1/4	1"	32,5	5	1,16	5
1" x 1"1/4	077623000278	22	82,5	70	110	23	54	100	1"1/4	1"	32,5	5	1,23	5
1/2" x 1"1/4	077623000194	12,5	62	77	110	16	44	100	1"1/4	1/2"	32,5	5	1,03	5
1/2" x 3/4"	077623000193	12,5	62	62	110	16	44	100	3/4"	1/2"	32,5	5	0,83	5
3/4" x 1"1/4	077623000235	16	72	72	110	17,5	47	100	1"1/4	3/4"	32,5	5	1,10	5
3/4" x 1"1/4	077623000236	16	72	70	110	17,5	47	100	1"1/4	1"	32,5	5	1,10	5

Advantages

Technical data

Art. 7564



Materials

Part No.	Part Name	Material	Notes
1	Body	Brass	CuZn40Pb2
2	Body end	Brass	CuZn40Pb2
3	Ball	Brass	CuZn40Pb2 Chrome-plated
4	Seats	P.T.F.E.	
5	O-Ring	FKM	
6	O-Ring	NBR	
7	Stem	Brass	CuZn39Pb3
8	Butterfly handle	Aluminium	GD-AISI12Cu2Fe Yellow
9	Screw	Steel	Zinc-plated
10	Swivel nut	Brass	CuZn40Pb2
11	Screwed ring	Brass	CuZn39Pb3

Connections

Female ISO 7/1Rp (parallel), screwed ring ISO 228/1

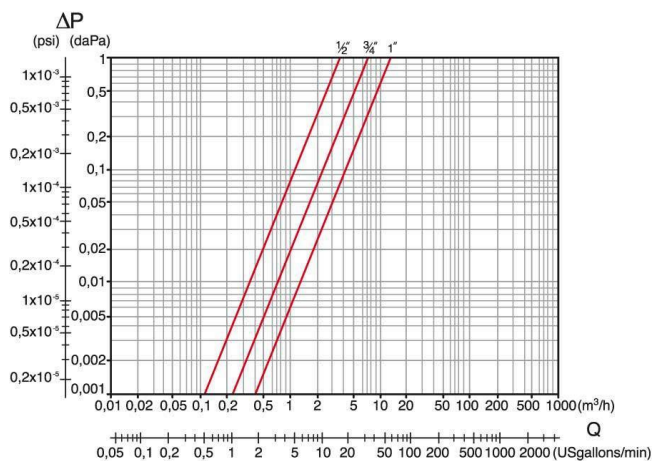
Limit

-20°+70° (without liquid)

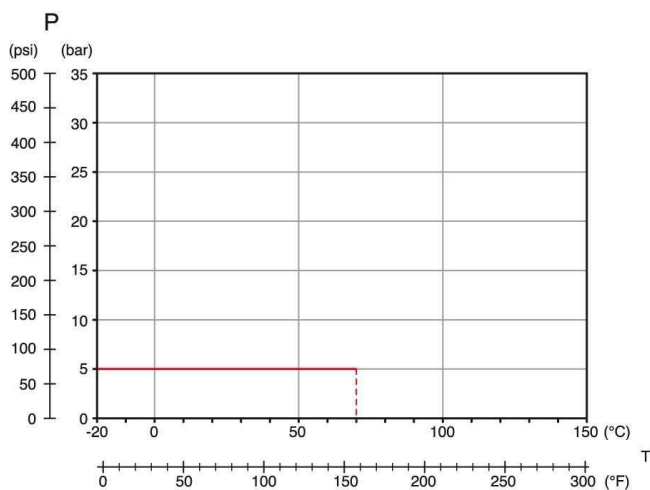
Notes

The max.working pressure (PN) means at a room temperature of about 23°C.

Pressure Loss Chart



Temperature/Pressure



Kv & Cv Coefficients

Size Kv Cv

1"	42,0	-
3/4"	24,0	-
1/2"	11,5	-

Approvals

